

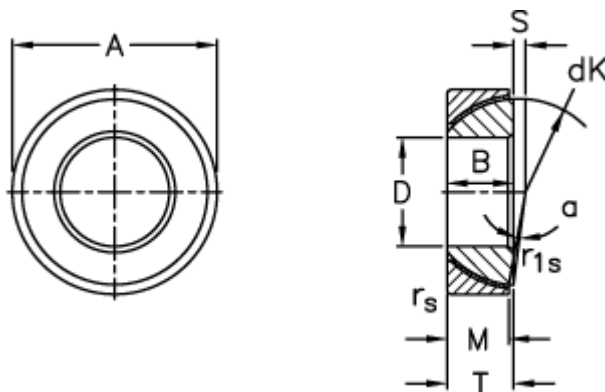
# Data Sheet



Article number: 03510105

Description: Fluro Rod end GE 105SW

## Measures



A	= 160 0 -0,025	Static load C0 (kN) = 1480	
B	= 35	T	= 35 +0,25 -0,60
D	= 105 0 -0,020	Tilt angle	= 2
dK	= 148	Weight	= 2930
Dynamic load C (kN)	= 740		
M	= 32.5		
rs, r1s min	= 2		
S	= 12.3		